

seeglass **pro**®



Broadening spaces
and views without
limits...





Protection balustrade seeglass-PRO

Seeglass PRO is the protection balustrade with safety glass that best fits the current regulation, without affecting building's design.

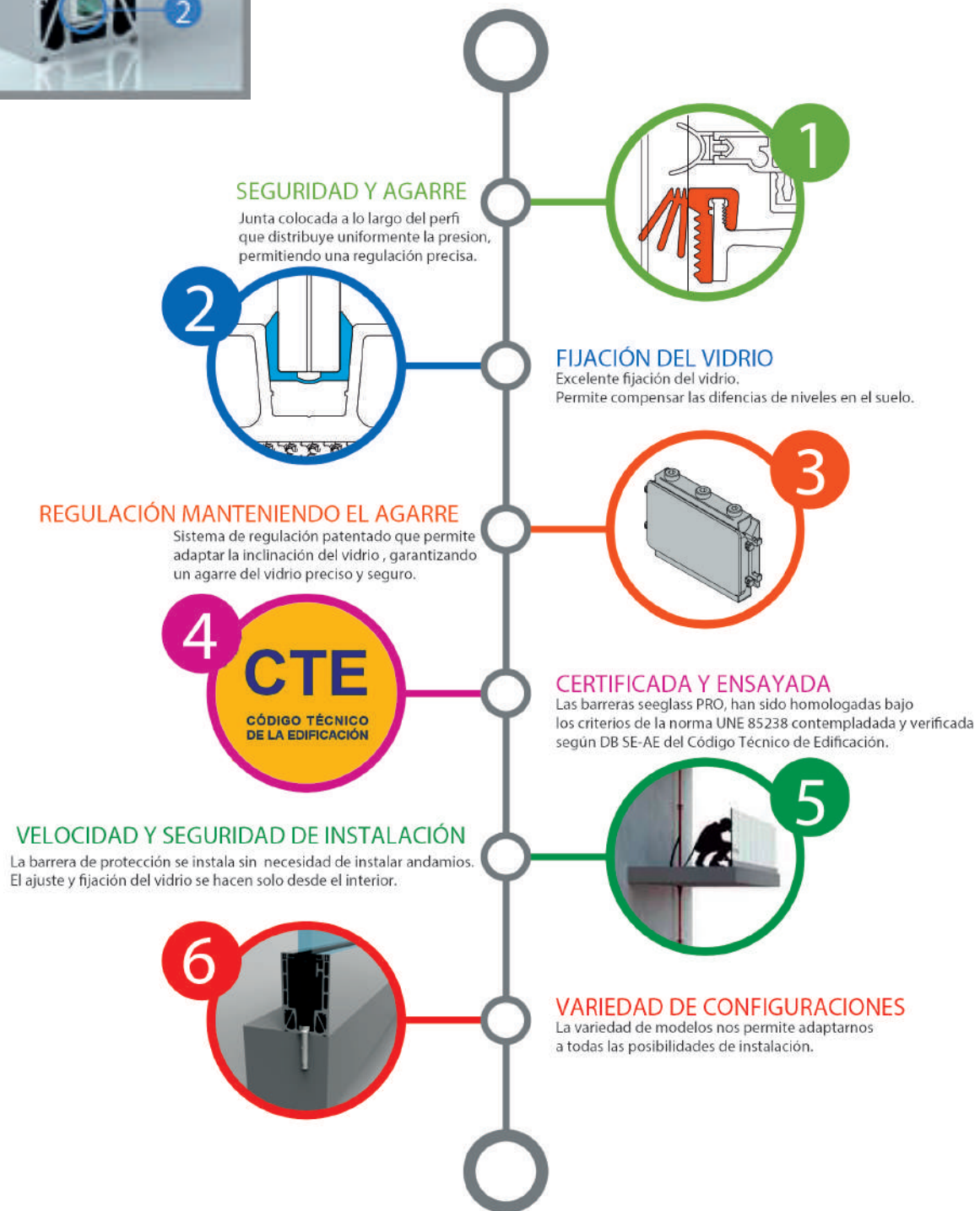
Traditionally, in buildings and constructions of all sorts, there always are railings made of metal or mural solutions as protective barriers, which do not match façade's esthetic or do not comply with the necessary safety requirements.

Seeglass PRO (Protection Barrier) innovative design is specifically based on utilizing glass as the principal raw material for its manufacturing. Combination of two essential elements, high quality structural aluminium along with the certified and tested properties of tempered laminated glass, provide this product with protection against vertical fall and high impact resistance. This features guarantee a plus in safety for users in case of impact against the balustrade.

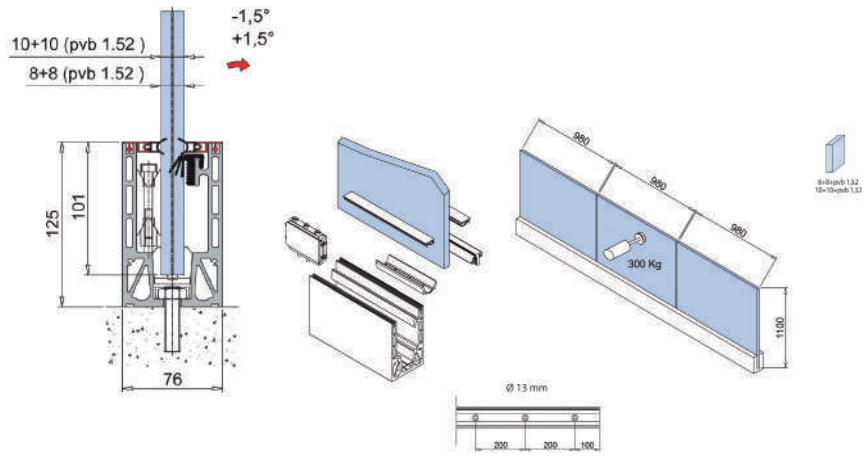
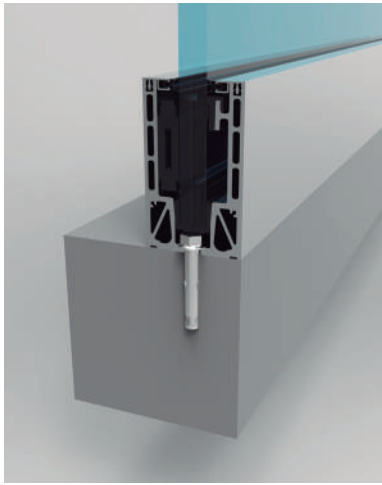
Glass used in balustrades' fabrication contributes with clarity, brightness, safety, esthetic and design, which perfectly integrates with modern architecture demands, as it was meant to be.



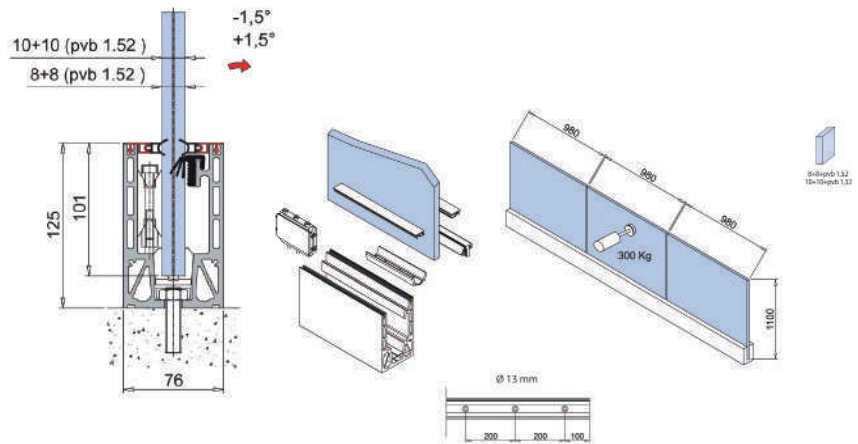
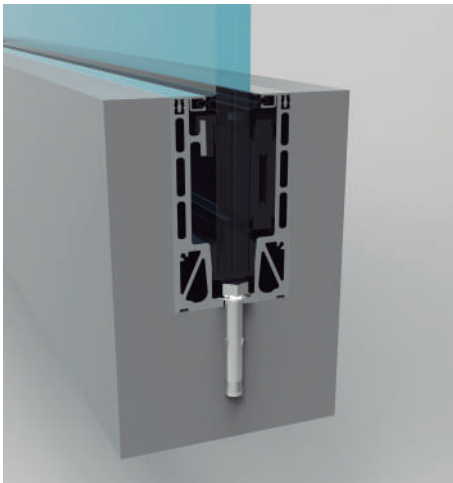
Patented system that surpasses all barrier protection expectations currently existing in the market.



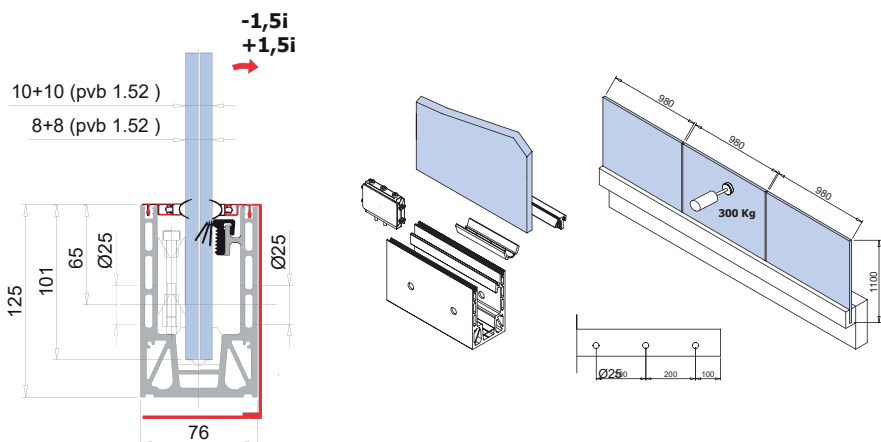
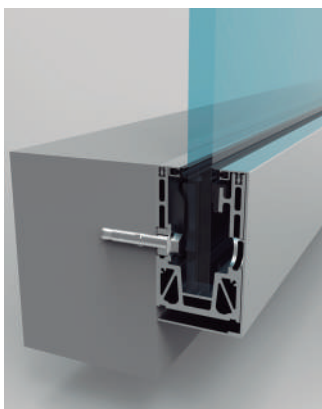
SEEGLOSS PRO ANCHORED TO FLOOR



EMBEDDED SEEGLOSS PRO



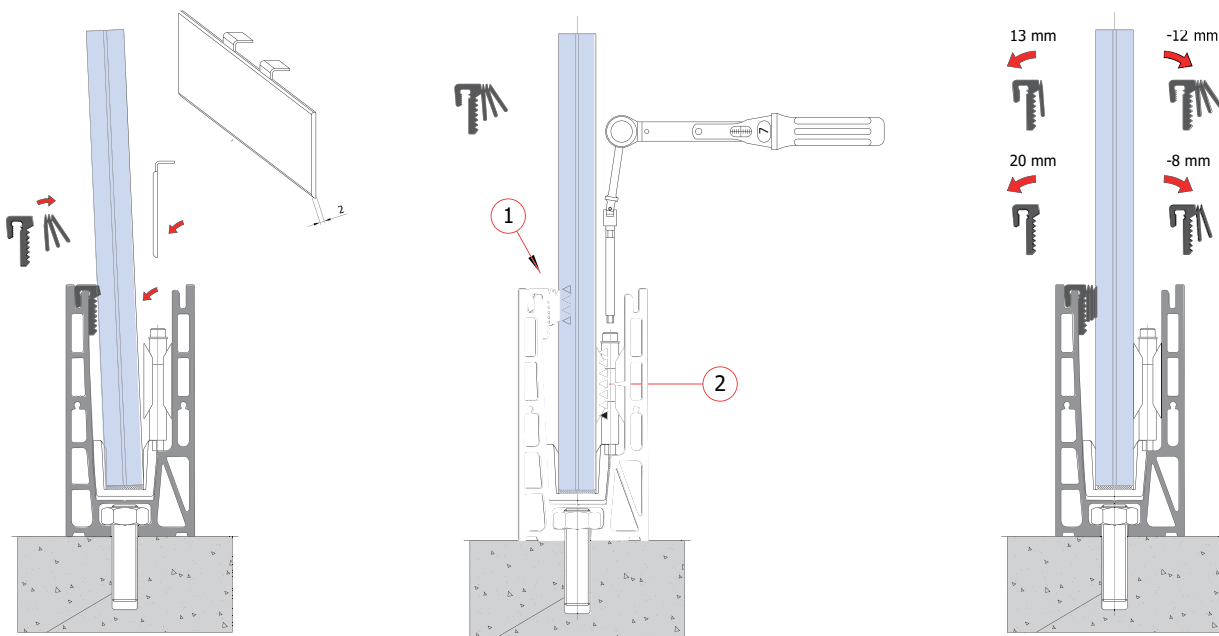
FRONTAL SEEGLOSS PRO



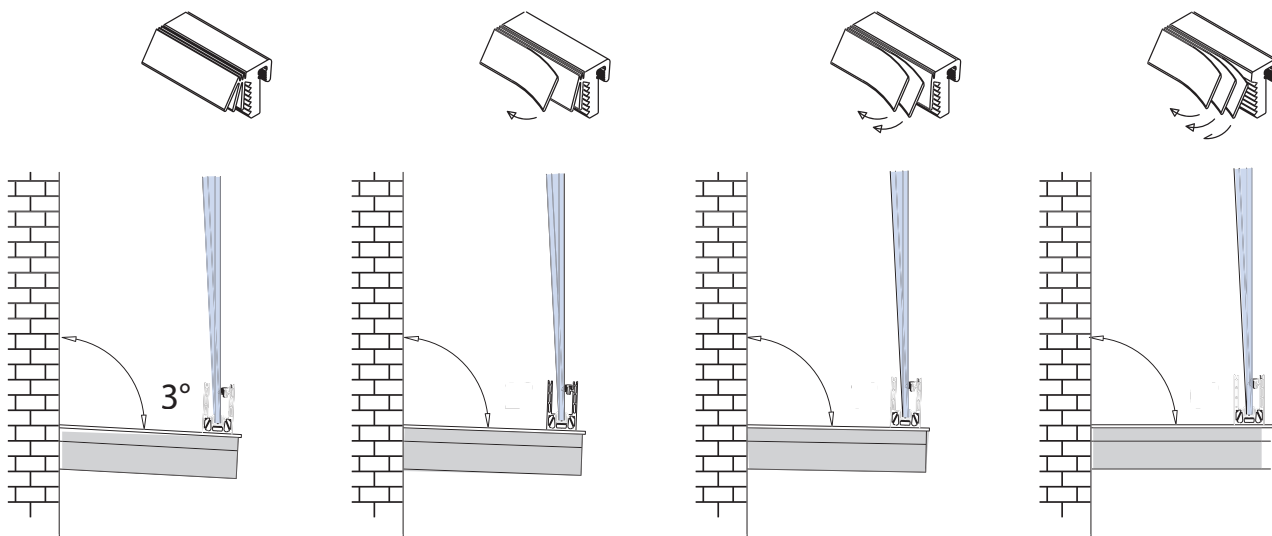
REGULATION/GLASS ALIGNMENT

Glass level compensation is managed by adjusting the clamp, located only at the bottom of the balustrade, making the fixing and regulation process faster and more secure than in any other protection system in the market.

We can adjust the inclination of the glass by $\pm 1'5''$, which allows us to adapt to any unevenness that may arise at the base of the protection barrier installation.



Tightening torque of the regulation kit must be of 7 Nm. If 1, 2 or the 3 sheets are removed from the fixing board, it is mandatory to adjust again the tightening torque of the pressure regulation kit.



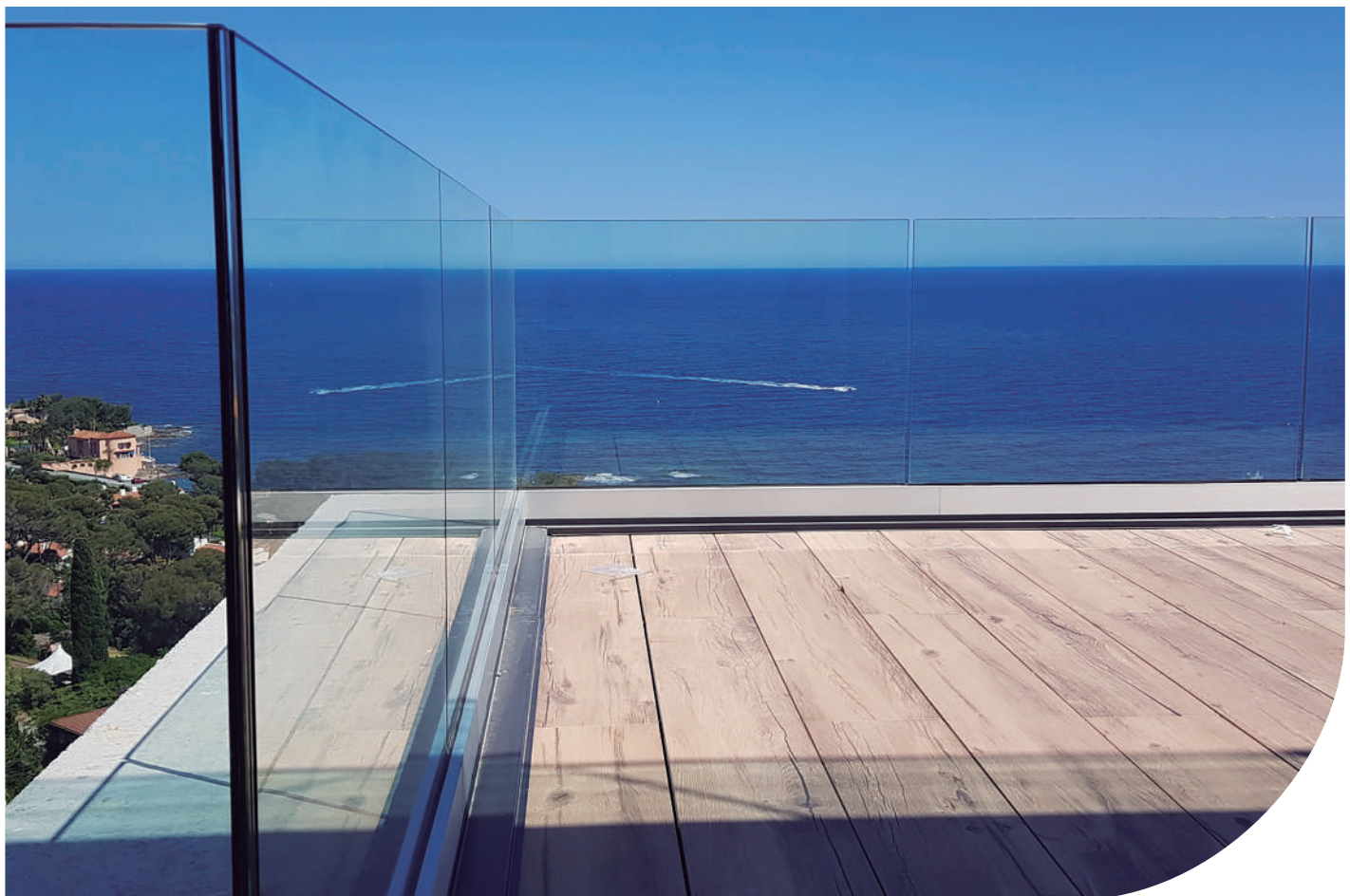
Installation Examples



Seeglass PRO without handrails.



Seeglass PRO on the floor with round handrails.





With the new **SEEGGLASS** adjustable handrails we are able to incorporate a system over the protection barrier with ease, thanks to its lower regulation mechanism.

In addition, we will manage to completely close your terrace, minimizing visual impact.

Seeglass PRO, set along with our range of glazing systems, has been

tested under the following regulations:

Air permeability: Regulation UNE-EN 1026:2000

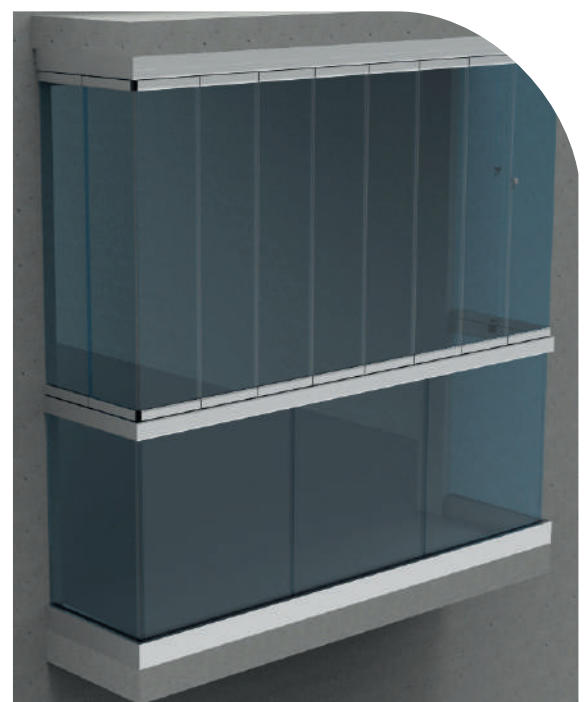
Wind load resistance: UNE-EN 1932:2001 Erratum:2011

Performance requirements, including safety:

UNE-EN13659:2004+A1:2009

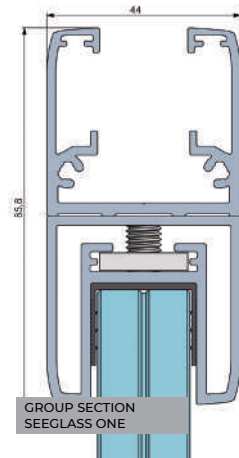
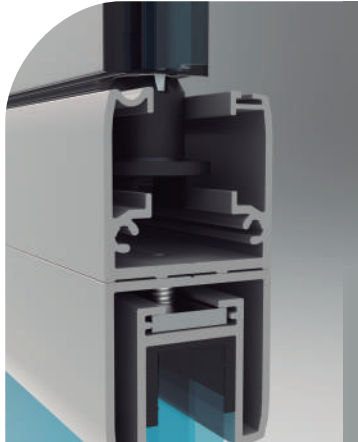
Water removal: UNE-EN 1027:2000

Consult results on <https://www.c3systems.es/en/certify-quality>



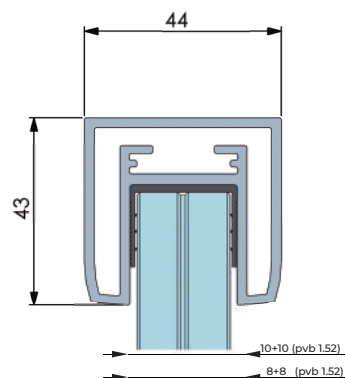
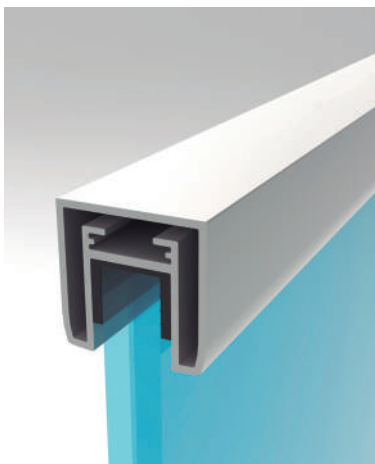
New!

ADAPTABLE HANDRAIL



Adaptable handrail next to the lower profile of Seeglass glazing systems, for a simple installation and a final finish aligned with the system.

ADJUSTABLE HANDRAIL

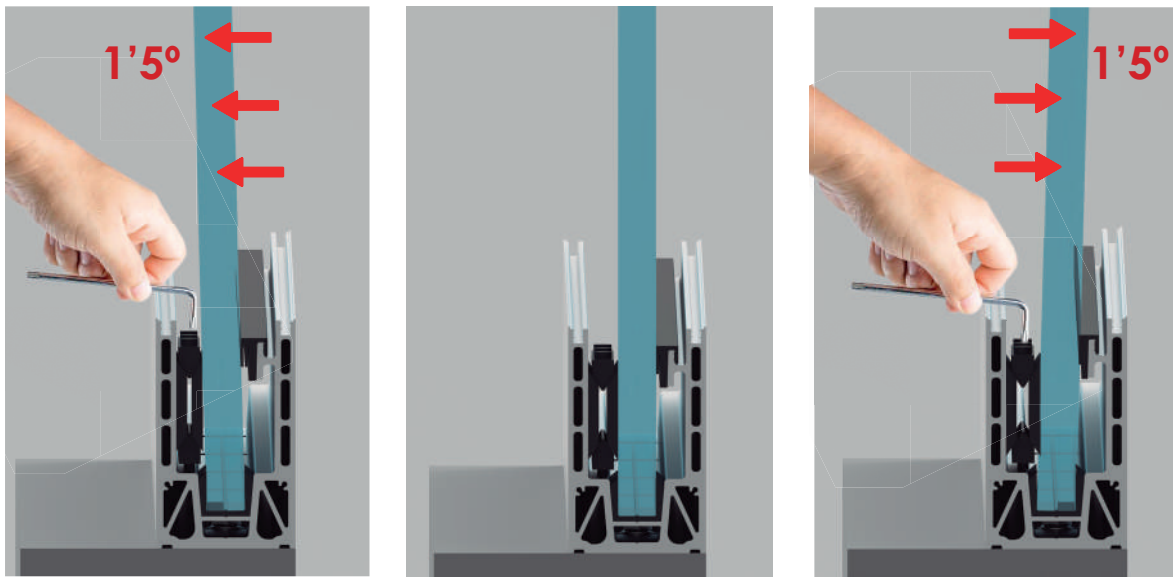


Adjustable handrail with square geometry for a termination of the protective barrier without system on the upper part.

3-Step Installation

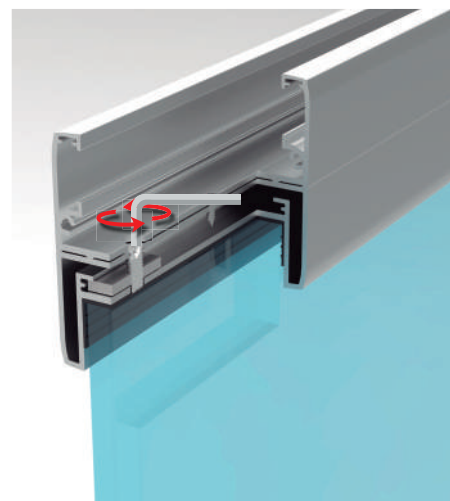
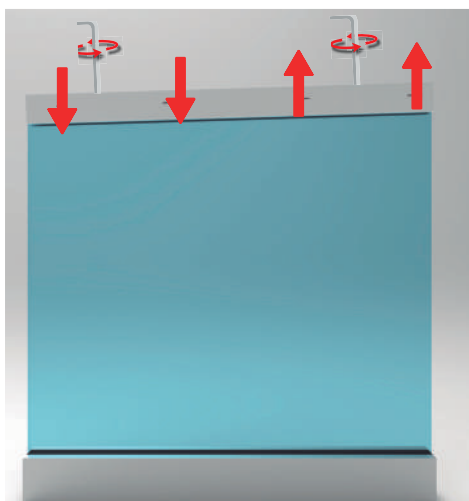
1

Align glass lead through pressure kit and fixing board.



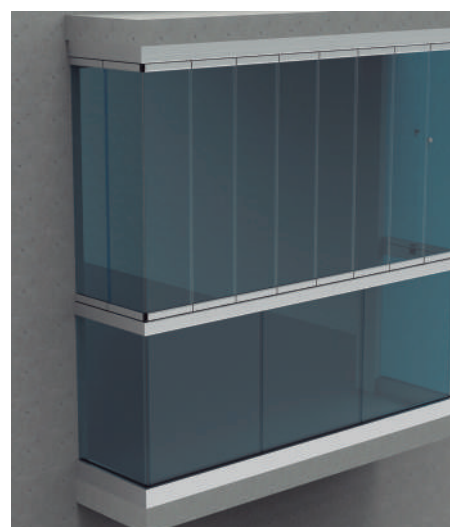
2

Assemble the set of adjustable handrails and systems' superior profile and adjust to achieve the perfect level.



3

Installation sequence.

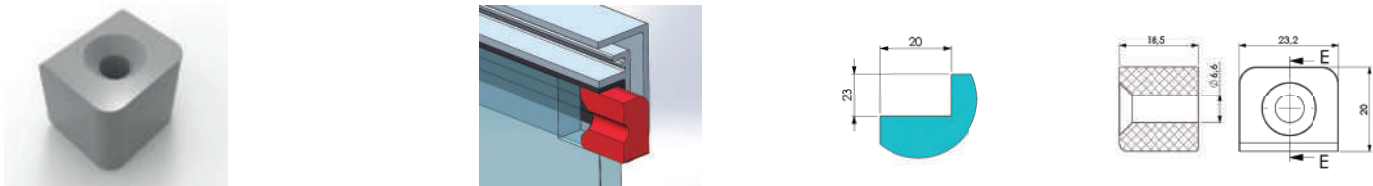


HANDRAILS SERIE

ACCESSORIES FOR SQUARE HANDRAILS

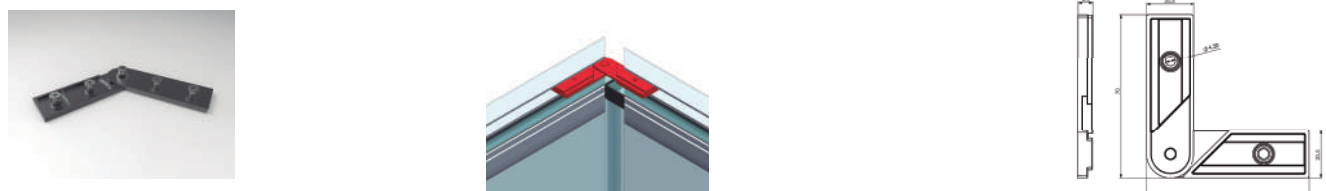
WALL SUPPORT FOR SQUARE HANDRAILS

Code: 2206 Material: Gray poliamide
It allows handrails fixing to the wall.



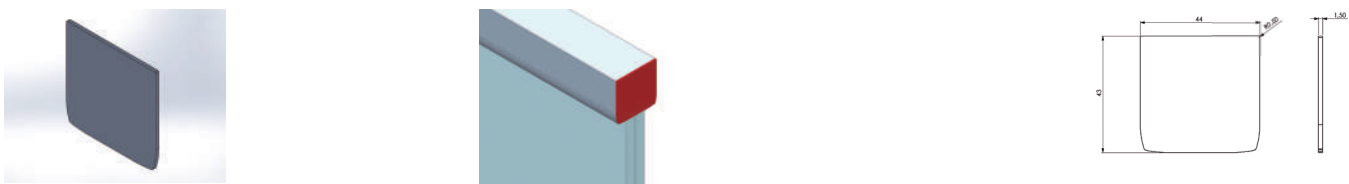
ADJUSTABLE ALIGNMENT BRACKET FOR SQUARE HANDRAILS

Code: 2205
It allows perfect handrails alignment in angle sections.



LATERAL TRIM FOR SQUARE HANDRAILS

Code: 2260 Finish: Aluminum finished in gr silver and stainless steel imitation.



ACCESSORIES FOR ROUND HANDRAILS

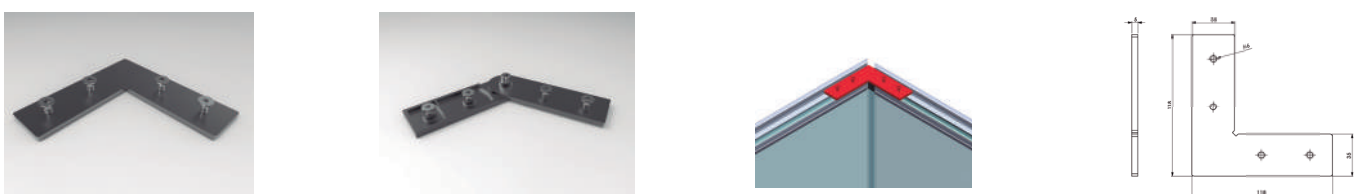
WALL SUPPORT FOR ROUND HANDRAILS

Code: 2038 Finish: Aluminum finished in white, anodizing silver and stainless steel imitation.



ALIGNMENT TRIM FOR ROUND HANDRAILS

Fixed trim code: 2039 Adjustable trim code: 2040
It allows perfect alignment in sections with angles of 90° for fixed trim, and for angles of 85° to 180° for adjustable trim.





MADE IN SPAIN



C3 Systems, S.L. · C/ Ibi, 13 · Polígono Industrial Cachapets · 03330 Crevillente (Alicante) España · Telf. +34 966 286 186

c3systems@c3systems.es · www.c3systems.es



ED. 5 - 2021

This document responds to a mere function of commercial promotion; it does not constitute a genuine advertising offer in the "strict" sense. In order to form the appropriate contract, please contact C3 Systems, S.L. in order to offer you specific and personalized information, which contains objective data, referring to relevant characteristics, and which, it is understood that will constitute an offer in the "strict" sense.

C3 Systems, S.L. undertakes through this means not to carry out deceptive advertising. For these purposes, therefore, formal or numerical errors that may be found throughout the content of this document will not be considered as misleading advertising; in particular, as regards the accompanying images, which are illustrative and not contractual. In any case, C3 Systems, S.L., undertakes to correct it as soon as it becomes aware of such errors.